

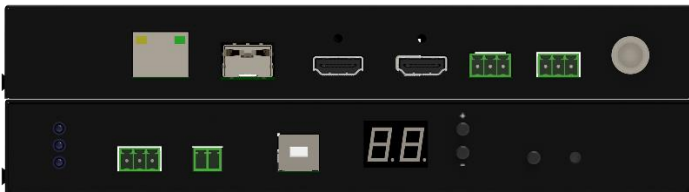
HDMI2.0 + USB2.0 AV & KVM EXTENDER OVER IP

Transmitter E23-H01E01T / E23-H01E01T-E / E23-H01F01T / E23-H01F01T-E
 Receiver E23-E01H01R / E23-E01H01R-E / E23-F01H01R / E23-F01H01R-E
 Basic Model / PoE Model / SFP Model / PoE + SFP Model



Transmitter

Receiver



OVERVIEW

The Partilink 4K60 HDMI2.0+USB2.0 AV & KVM Extender over IP is a series of products composed of a transmitter and a receiver to extend HDMI, USB, RS232, and IR signals over IP via a CATx cable and Gigabit Ethernet switch or a fiber optic cable. It can be applied for point to point Unicast, point to multi-point or multi-point to multi-point multi-cast and video wall. Installation is easy with a networking Giga Ethernet switch and CAT-5e/6 cable for building up the extension or broadcast system.

It's an optimized choice to apply in Matrix, Video Wall and KVM Remote Control integration solutions. Because its encoder/ decoder technology provides the benefit of system scope scalability and the smart modular design is flexible enough to achieve alternative features.

FEATURES

- HDMI2.0/USB2.0/1.1 over IP extension
- Supports HDMI resolution up to 4K/60Hz
- Supports HDMI loop-through on TX
- Supports HDR10/HDR10+/Dolby Vision
- RS-232 bi-directional extension
- HDCP 1.4/2.2/2.3 compliant and Blu-Ray ready
- Two way IR extension
- Digital LED indicators with up and down button for group selection
- Automatic EDID configuration
- KM Over IP roaming
- Seamless KM Switching on TX and RX
- Ultra low latency under 0.5 frame
- Networking environment under Giga Ethernet switch and CAT-5e/6 cable
- Point to point extension, unicast, multicast and video wall system
- Point to point extension via CAT-5e/6E cable without Ethernet switch up to 100M+
- Ethernet webpage management
- RS-232 serial control command management

Comparison table

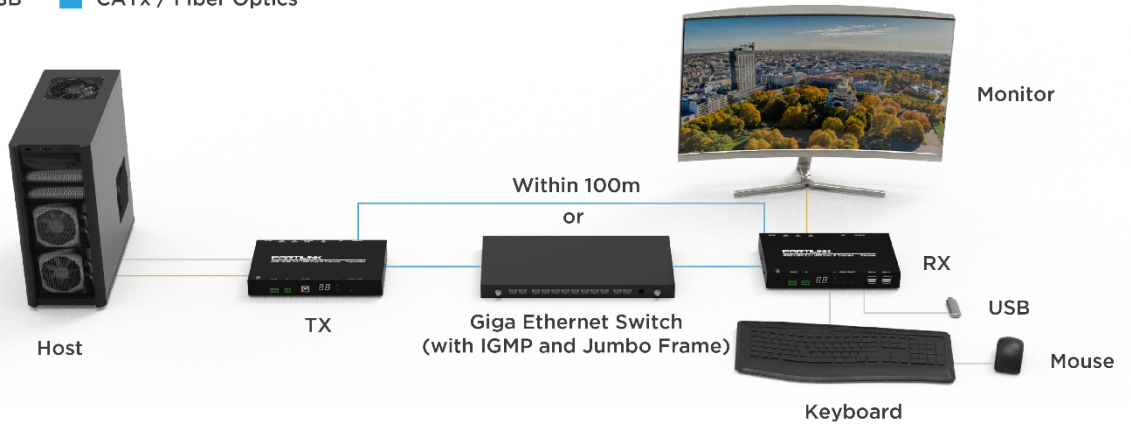
MODEL	E23-H01E01T E23-E01H01R	E23-H01E01T-E E23-E01H01R-E	E23-H01F01T E23-F01H01R	E23-H01F01T-E E23-F01H01R-E
HDMI	Yes	Yes	Yes	Yes
USB	Yes	Yes	Yes	Yes
Line in /out	Yes	Yes	Yes	Yes
RS232	Yes	Yes	Yes	Yes
IR	Yes	Yes	Yes	Yes
4K	Yes	Yes	Yes	Yes
POE	No	Yes	No	Yes
SFP	No	No	Yes	Yes
Cable	CAT5/6	CAT5/6	CAT5/6 or Fiber	CAT5/6 or Fiber

APPLICATION

- Unicast, point to point extension
- Multicast, point to multi points or multi points to multi points extension
- Screen wall installation

Unicast

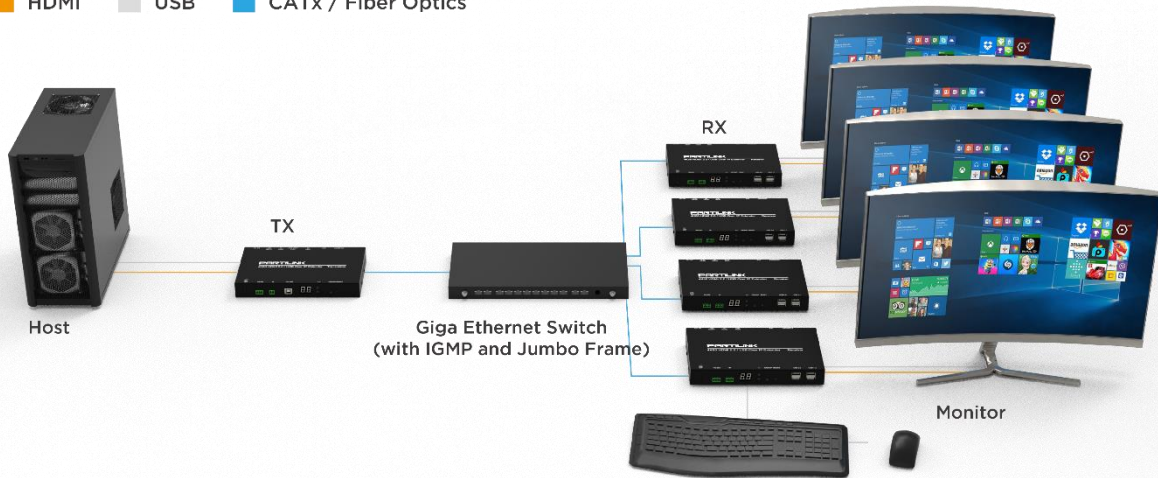
■ HDMI
 ■ USB
 ■ CATx / Fiber Optics



Multicast

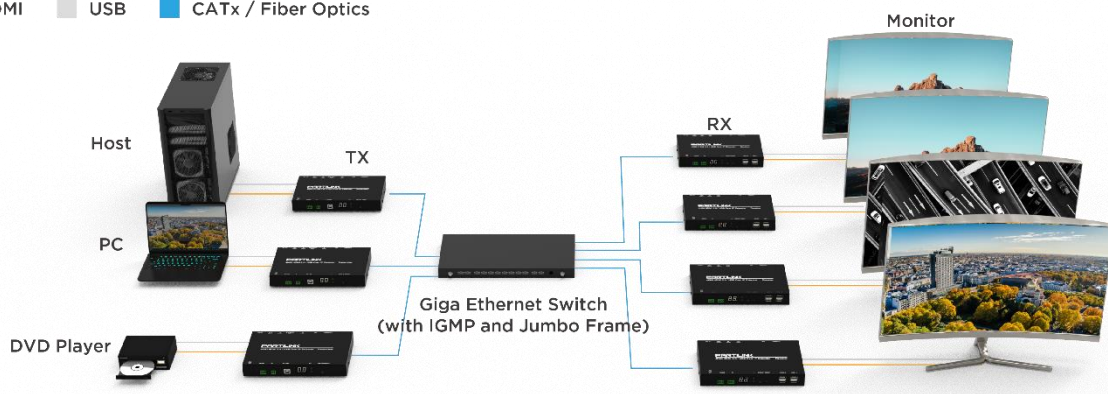
a. Video Distribution

■ HDMI
 ■ USB
 ■ CATx / Fiber Optics



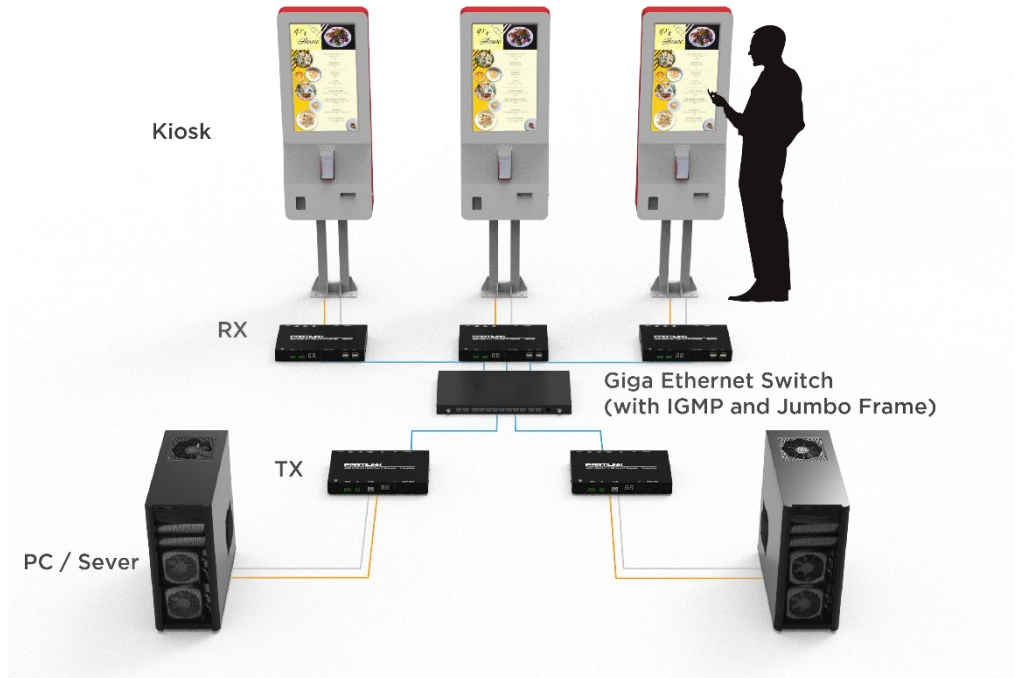
b. Matrix Distribution

■ HDMI
 ■ USB
 ■ CATx / Fiber Optics



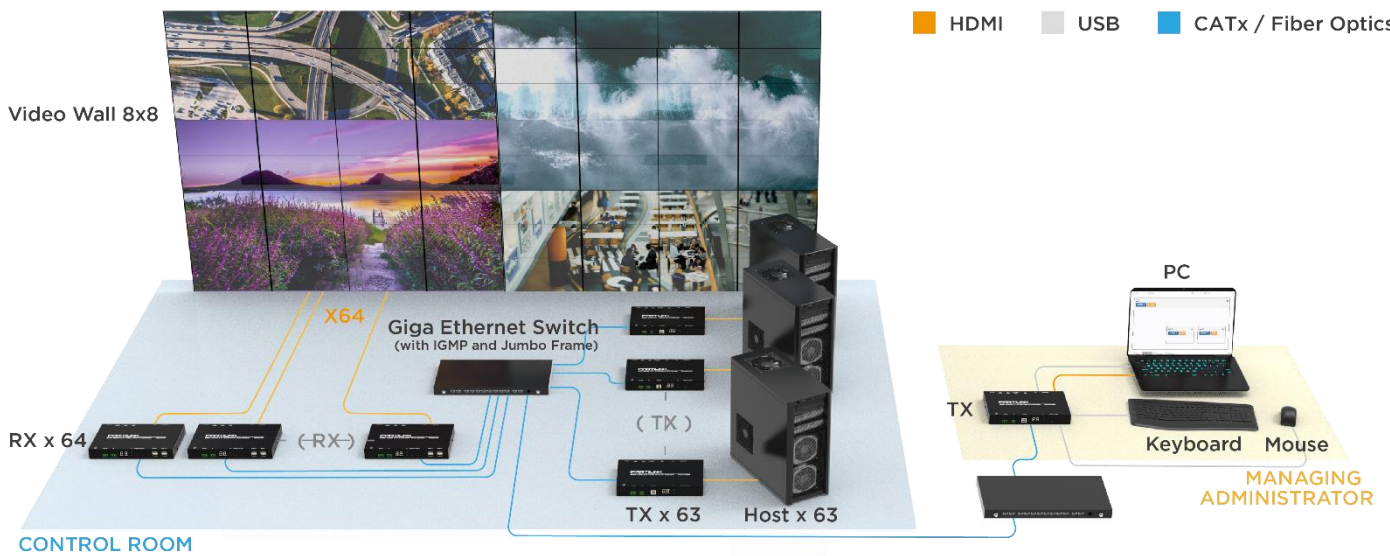
c. Billboard & Kiosk, PC to HDMI and USB Interactive Monitor

■ HDMI
 ■ USB
 ■ CATx / Fiber Optics



■ Video wall

■ HDMI
 ■ USB
 ■ CATx / Fiber Optics



SPECIFICATION

MODEL NO.	TRANSMITTER	RECEIVER
VIDEO INPUT	HDMI Type-A x 1	RJ45 x 1
VIDEO OUTPUT	RJ45 x 1	HDMI Type-A x 1
VIDEO LOOP-OUT	HDMI Type-A x1	-
AUDIO INPUT	1 x 3-pin phoenix	1 x 3-pin phoenix
AUDIO OUPUT	1 x 3-pin phoenix	1 x 3-pin phoenix
USB INTERFACE	1x USB Type B (USB2.0)	2 x USB Type A (USB2.0) 2 x USB Type A (USB1.1) Note: (1) KVM can be applied with any USB port (2) USB 2.0 for camera return works under unicast mode only
RS-232 SERIAL	1 x 3-pin phoenix	1 x 3-pin phoenix
LINK INTERFACE	1 x RJ45 or SFP	1 x RJ45 or SFP
LED INDICATOR	Power (blue) x 1 RJ45 Link (green) x 1 SFP Link (green) x 1 Selected Channel LED x 1	Power (blue) x 1 RJ45 Link (green) x 1 SFP Link (green) x 1 Selected Channel LED x 1
USER CONTROL	Hardware switches (from left to right): Video channel(CH+/CH-): pushbutton Reset channel: pushbutton Set/Reset: pushbutton Video/Image selection: pushbutton	Hardware Switches (From left to Right): Video Channel(CH+/CH-): pushbutton Reset Channel: pushbutton Set/Reset: pushbutton Video/Image Selection: pushbutton
IR INTERFACE	1 x 2-pin phoenix	1 x 3-pin phoenix
HDMI INPUT RESOLUTION	3840x2160/60/30/24, 1080p/60/50, 1080p/30/25, 1080i/60/50, 720p/60/50, 480i/60/50, 480p/60/50	
HDMI OUTPUT RESOLUTION	3840x2160/60/30/24, 1080p 30/25, 1080i 60/50, 720p 60/50, 480i 60/50, 480p 60/50	
HDMI LOOP OUT RESOLUTION	3840x2160/60/30/24, 1080p 30/25, 1080i 60/50, 720p 60/50, 480i 60/50, 480p 60/50	- -
AUDIO FORMAT	LPCM up to 12-channels, Dolby Digital Plus, Dolby TrueHD, DTS HD Master Audio, Dolby ATMOS	
IP PROTOCOL	TCP, UDP, RTSP, RTP, DHCP, IGMP, Multicast, IPV4	
POWER INPUT	2.0 mm power jack for DC12V/2A	
OPERATING TEMPERATURE	0~55 °C	
STORAGE	-20~85 °C	
OPERATING HUMIDITY	Up to 95% RH	
DIMENSION	205 x 107 x 30mm (L x W x H)	
WEIGHT	0,75 KG	