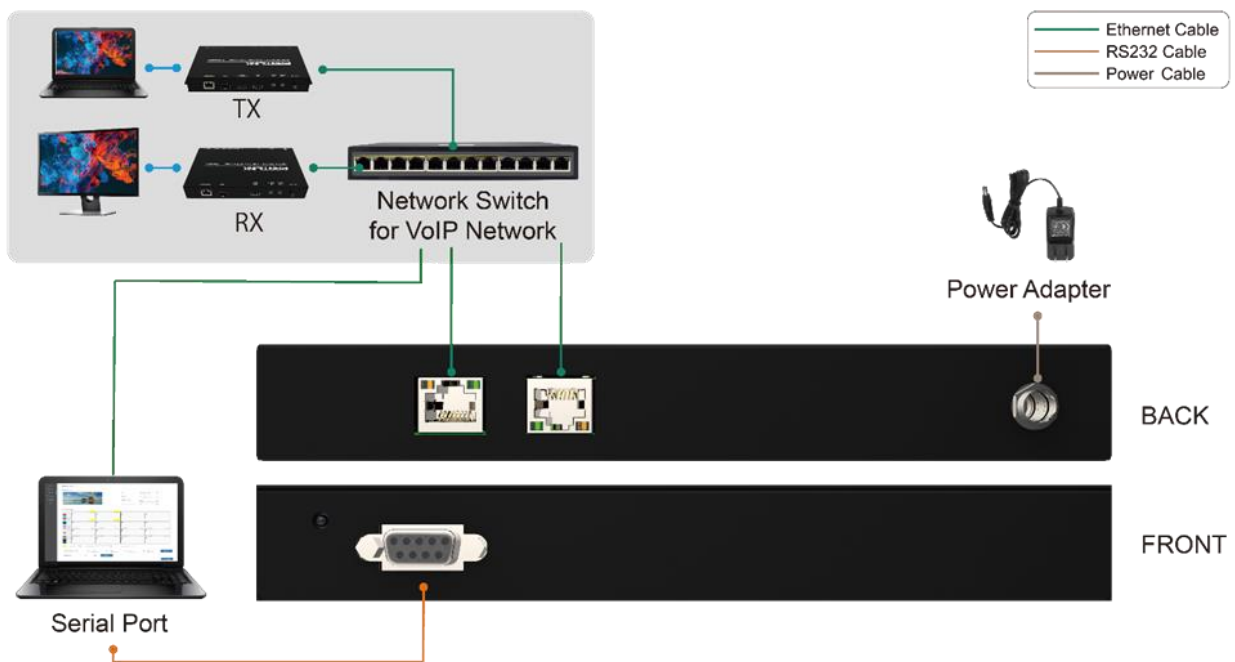


4K60 HDMI AV OVER IP CONTROLLER

E23C / E23C-P
Basic Model / PoE Model



OVERVIEW

The Partilink E23C and E23C-P are **4K60 HDMI AV over IP Control Central Controller** to manage and go with Partilink E23 series HDMI & USB over IP transmitters and receivers systematically for the matrix and video wall system application. It can configure and control the transmitters and receivers on the web UI via click on the mouse easily. It's easy to install with 1G Ethernet switch and CAT5/ 6 cable for building up the extension & broadcast system.

There are two models for option; one comes with external power supply, the other is embedded with PoE feature to save the space for external power supply and wire in the application site with neat environment.

FEATURES

- configures and controls video extension system in multicast, matrix and video wall application modes
- controls HDMI KVM over IP transmitters and receivers centrally
- provides Web UI for managing the video wall system
- log in/out, user name and password security management
- supports video wall up to 64 screens which is built as 8x8 video wall array (video wall scope bigger than 8x8 required to customize firmware)
- auto scan to show the IP of the connected transmitter and receivers of the system.
- stores up to 15 various matrix/ video wall display patterns as projects
- supports multiple extender groups setting
- preview the image per transmitter or receiver
- bezel correction for video wall application
- English and Chinese operation for option

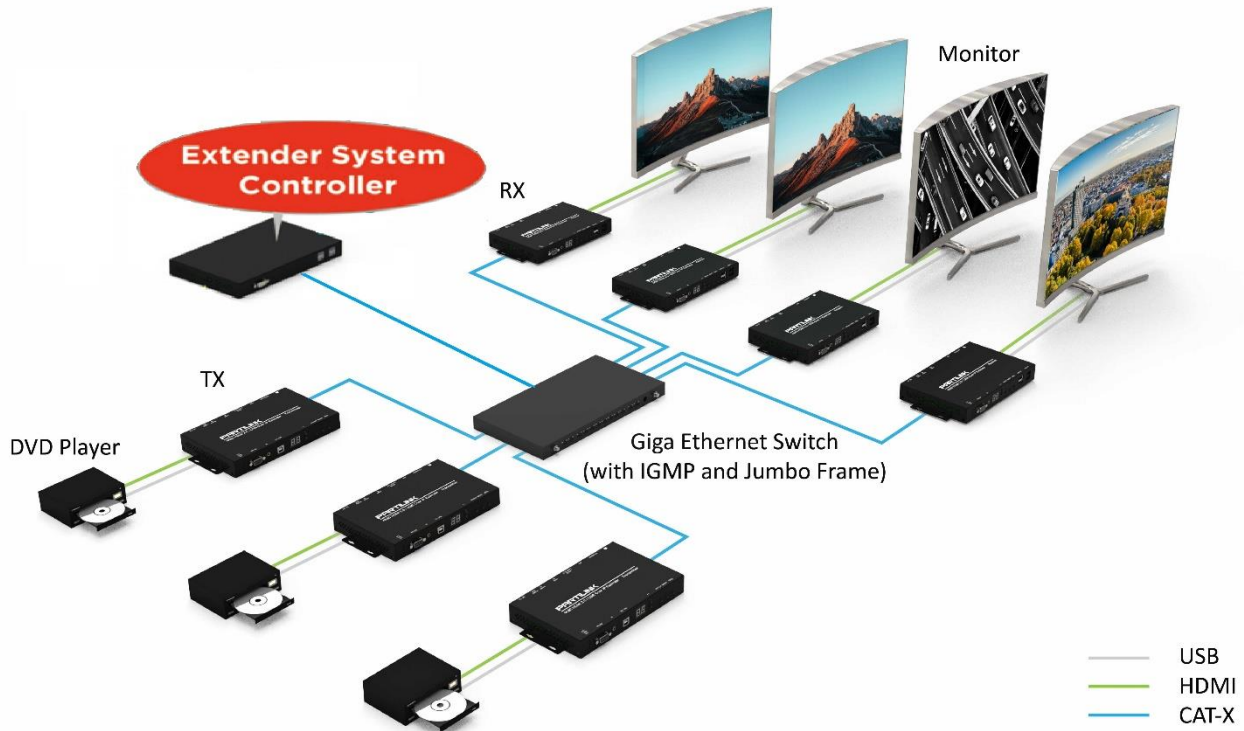
SPECIFICATION

MODEL NO.	E23C / E23C-P Basic Model / PoE Model
LINK INTERFACE	1 X RJ45
ETHERNET CONTROL	1 X RJ45
RS-232 SERIAL	1 X DB9 Female
LED INDICATOR	POWER(BLUE) x 1
HDMI INPUT RESOLUTION	3840X2160/60/30/24, 1080p/60/50, 1080p/30/25, 1080i/60/50, 720p/60/50, 480i/60/50, 480p/60/50
HDMI OUTPUT RESOLUTION	3840X2160/60/30/24, 1080p 30/25, 1080i 60/50, 720p 60/50, 480i 60/50, 480p 60/50
IP PROTOCOL	TCP, UDP, RTSP, RTP, DHCP, IGMP, Multicast, IPV4
POWER INPUT	2.0mm power jack for DC12V/2A
OPERATING TEMPERATURE	0~50 °C
STORAGE	-20~85 °C
OPERATING HUMIDITY	Up to 90% RH
DIMENSION	205.5 x 127.6 x 28.0 mm (L x W x H)
WEIGHT	0.728 Kg

APPLICATION

- Multicast, point to multi points or multi points to multi points extension
- Video wall installation
- Video system control center
- Application venues: broadcast system in bus/ train/ subway station or airport, conference room, campus, exhibition center; hospitality system at hotels, department stores, shopping mall, food courts and restaurant

● Multicast System



● Video Wall System

