

1080p HDMI to USB-C Grabber

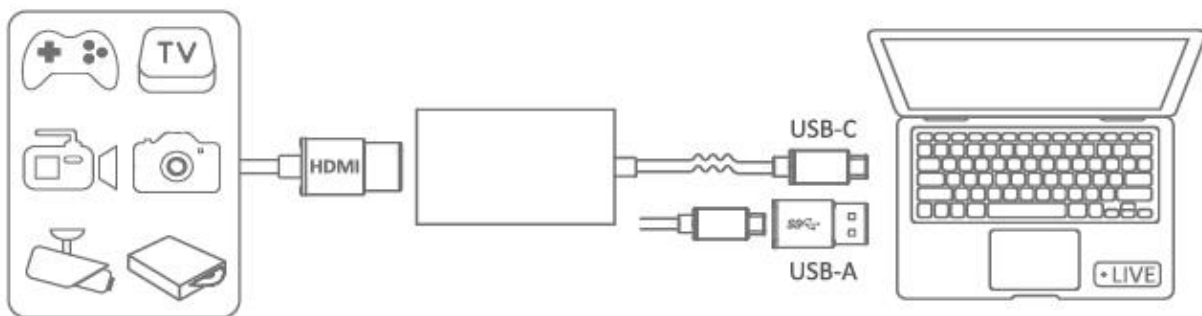
• Overview

Partilink 1080p HDMI to USB-C Grabber is designed to capture 1080p video allowing the user to plug-in various HDMI output devices (such as PS4, XBOX, Switch, camera, etc.) data uplink to 1920 x 1080p at 60Hz to the computer through the USB terminal. Streaming media made easy, capture every sound and movement. It will not affect your computer's performance, while maintaining a resolution up to 1080p at 60 frames per second.



• Feature

- Supports HDMI 1.4b Standard up to 1080p @ 60fps
- Supports video capture at 1080p @ 60fps
- Supports 24 bit color
- Supports USB 3.0 and USB 2.0 data uplink
- Supports UVC 1.0
- Supports USB – C connector
- Supports USB port power supply, no need for an external power supply
- Compatible with third-party applications, such as PotPlayer, QuickTime, OBS, Xsplit, vMix, etc.



• Specifications

| MODEL NAME | 1080p HDMI to USB-C Grabber |
|----------------------|--|
| DESCRIPTION | 1080p HDMI to USB-C Grabber |
| INPUT INTERFACE | 1 x HDMI Type A 1 x HDMI 1.4b standard up to 1080p at 60fps |
| OUTPUT INTERFACE | 1 x USB type-C (USB 3.0) UVC video and audio |
| RESOLUTION | 640x480p, 1280x720p, 1920x1080p |
| VIDEO SAMPLING | 4:4:4 format |
| OUTPUT COLOR SPACE | YUY2, RGB |
| HDMI AUDIO | 16-bit PCM encoded audio at 48kHz sampling rates |
| SYSTEM REQUIREMENTS | CPU: i5 Dual Core 2.8GHz or higher RAM: 4GB or higher OS: Windows (8 and above), Mac OSX (10.13 and above) |
| ENVIRONMENT | Operating Temperature 0~45°C Operating Humidity 20~90% |
| DIMENSION | 42 x 240 x 14 mm (W x L x H including cable length) |
| WEIGHT | 40 G |
| COLOR | Titanium Gray |
| ACCESSORIES | USB-C to USB-A 3.0 Adapter |
| *DO NOT SUPPORT HDCP | |